

SHELL SIZE	A ±.015	B ±.010	C ±.015	AVAILABLE ENTRY CODES
9	1.203	.984	.500	A-F
15	1.531	1.312	.500	A-F
25	2.078	1.852	.500	A-F
37	2.718	2.500	.500	A-F
50	2.625	2.406	.609	A-G
104	2.718	2.500	.668	A-H

REVISIONS			
LTR	DESCRIPTION	DATE	APPROVED
A	ENTRY 'F' E $\phi$ WAS .417	03/15/94	EAG
B	ADDED HEIGHT OPTION & TABLE 3	08/24/94	EAG
C	ADDED SIZE 104 & 'H' ENTRY CODE	10/17/94	EAG
D	ADDED -1 TO PART DEVELOPMENT	11-7-94	EAG
E	ADDED LACE-TIE SLOT OPTION	08/24/98	EAG
F	ADDED SCREW LOCK OPTION	08/16/99	EAG
G	ADDED -2 BAND OPTION	09/13/99	EAG
H	ADD -HS SCREW OPTION; UPDATE TABLE 2 AVAILABLE SIZES	03/10/00	EAG

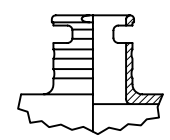
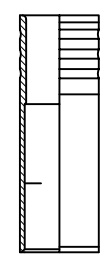
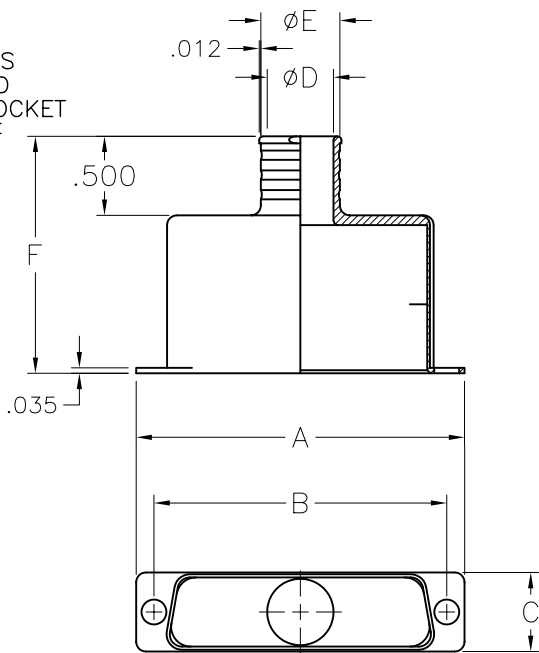
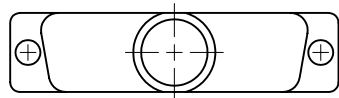
PART NO. DEVELOPMENT

K2489 - 25 E D J -1 -LT -SL

BASIC NO. -  
SHELL SIZE -  
(SEE TABLE 1)  
ENTRY CODE -  
(SEE TABLE 2)  
HEIGHT CODE -  
(SEE TABLE 3)  
OMIT FOR 1.50" HEIGHT

SCREW LOCKS  
-SL=SLOTTED  
-HS=HEX SOCKET  
OMIT FOR NONE  
ADD -LT FOR  
LACE-TIE SLOTS  
OMIT FOR NONE  
ADD -1 FOR .125"  
WIDE DRIVE BAND  
ADD -2 FOR .250"  
WIDE DRIVE BAND  
OMIT FOR NONE

FINISH CODE  
(SEE KERN CAT.)



-LT  
LACE-TIE  
OPTION



-SL SCREW LOCK  
13437

-HS SCREW LOCK  
13579

ENTRY CODE	D DIA ±.015	E DIA ±.015	AVAILABLE SHELL SIZES
A	.125	.205	9-104
B	.187	.267	9-104
C	.250	.330	9-104
D	.312	.392	9-104
E	.375	.455	9-104
F	.437	.517	9-104
G	.500	.580	50&104
H	.562	.642	104

HEIGHT CODE	F DIM ±.03
A	1.00
B	1.12
C	1.25
D	1.37
BLANK	1.50
E	1.62
F	1.75
G	1.87
H	2.00

ITEM NO.	NOMENCLATURE OR DESCRIPTION	PART OR IDENTIFYING NO.	QTY REQD	MATERIAL	FINISH
2	SCREW LOCK	13437/13579	1 A/R	STAINLESS STEEL	PASSIVATED
1	BODY	12908-XX/06	1	ALUM ALLOY 6061-T6	AS SPECIFIED

FILESPEC: K2489

THE INFORMATION DISCLOSED HEREIN WAS ORIGINATED BY AND IS THE PROPERTY OF KERN, AND, EXCEPT FOR USES EXPRESSLY GRANTED TO THE UNITED STATES GOVERNMENT, KERN RESERVES ALL PATENT, PROPRIETARY, DESIGN, USE, SALE, MANUFACTURING AND REPRODUCTION RIGHTS THERETO. THIS DOES NOT APPLY TO ANY VENDOR PARTS.

UNLESS OTHERWISE SPECIFIED: DIMENSIONS ARE IN INCHES		CONTRACT NO.	
TOLERANCES	DECIMALS	DRAWN	DATE
ANGULAR	± P	EAG	11/17/93
.XX ±.03		CHECK	
.XXX ±.010		EAG	11/18/93
DO NOT SCALE DRAWING		DESIGN	
TREATMENT		EAG	11/17/93
FINISH		DESIGN ACTIVITY	
SIMILAR TO	ACT. WT	CUSTOMER	
	CALC WT		

**KERN ENGINEERING & MFG. CORP.**  
1146 E. ASH AVE., FULLERTON, CA 92631

TITLE: LIGHTWEIGHT D-SUBMINIATURE BACKSHELL, BAND TERMINATION, FOR MIL-C-24308 CONNECTORS

SIZE	FSCM NO.	DWG NO.	REV
B	50619	K2489	H
SCALE	NONE	RELEASE DATE	11/18/93
		SHEET	1 OF 1