

D-SUBMINIATURE CONNECTOR BACKSHELLS

SOLID SHELL IRIS METHOD BACKSHELLS

PART NUMBER DEVELOPMENT KDM001-25CA4JB-NG

KERN SERIES

KDM001 = EMI / RFI ONLY
SEE FIGURE 1
KDM002 = EMI / RFI / ENV
SEE FIGURE 2

SHELL SIZE

SEE TABLE 1

NUT TYPE

C = CLAMP BARS
N = NO CLAMP BARS

FUNCTION CODE

SEE TABLE 2

GASKET OPTION

BLANK = WITH STD. GASKET
- NG = NO GASKET

SHIELD SUPPORT TUBE CODE

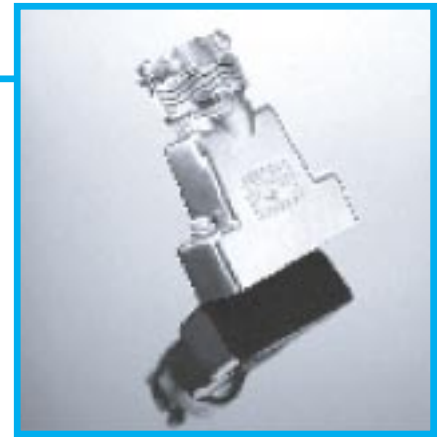
SEE TABLE 4 (OMIT IF NOT REQUIRED)
SEE FIGURE 4 FOR APPLICATION
INFORMATION

FINISH CODE

SEE TABLE 11 ON PAGE 6

PANEL THICKNESS

SEE TABLE 3 - SEE FIGURE 3
FOR APPLICATION INFORMATION



PANEL SPACING INFORMATION

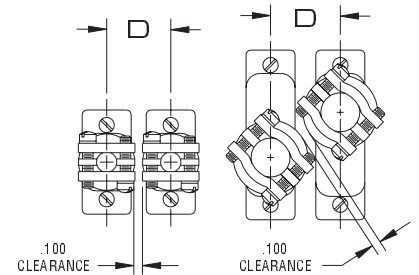


TABLE 1

SHELL SIZE	A	B	C	D	E	R ^Ø	X
	± .030	± .005	± .030	SPACING	OFFSET	CABLE RANGE	± .010
9	1.366	.984	.640	.860	0	.125 - .250	.750
15	1.694	1.312	.640	.970	0	.157 - .375	.875
25	2.241	1.852	.640	.925	.300	.282 - .500	1.000
37	2.882	2.500	.640	.925	.300	.282 - .500	1.000
50	2.778	2.406	.750	1.065	.300	.407 - .625	1.125
104	2.882	2.500	.813	1.200	.425	.657 - .875	1.375

9 & 15 PIN
SHELL SIZES

25, 37, 50
& 104 PIN
SHELL SIZES

FIGURE 1
(KDM001)

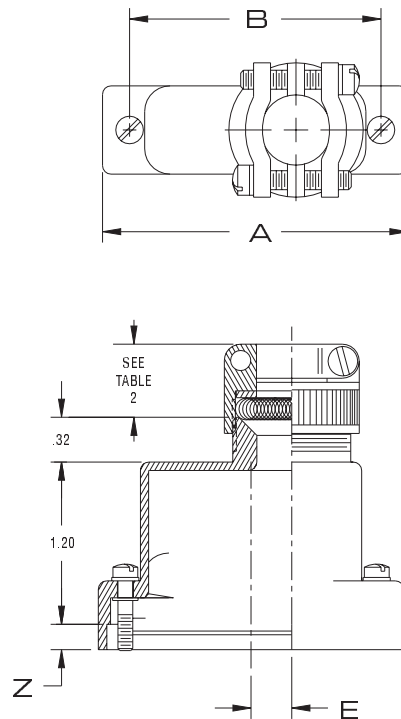
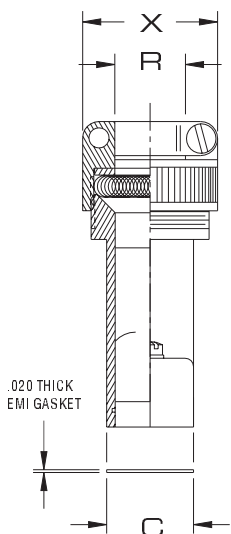


FIGURE 2
(KDM002)

