

SPLIT, "SLANTED IRIS" BACKSHELLS

PART NUMBER DEVELOPMENT **SDM-25W**

BASIC NO.

SDM = STRAIGHT
SDM90 = 90°

FINISH CODE

SEE TABLE 11 ON PAGE 6

SHELL SIZE CODE

SEE TABLE 8



PANEL SPACING INFORMATION

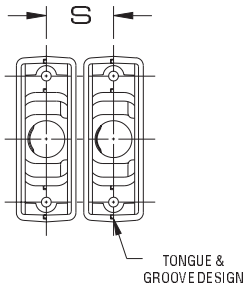
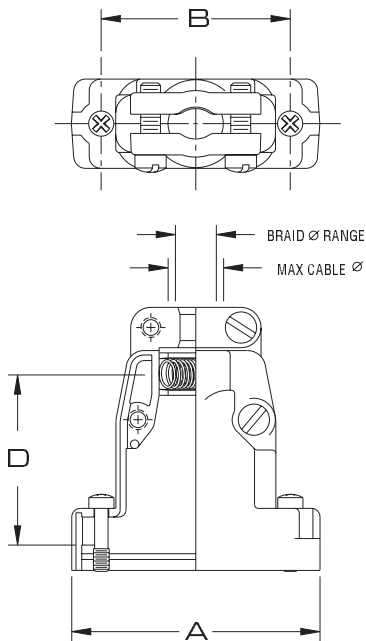


TABLE 8

SHELL SIZE	A ± .03	B ± .01	C ± .03	D REF	E ± .03	F REF	G ± .03	S MIN	BRAID Ø RANGE	MAX CABLE Ø
9	1.40	.984	.62	1.19	1.81	1.28	1.66	.65	.125-.230	.250
15	1.73	1.312	.62	1.19	1.83	1.24	1.69	.70	.150-.320	.375
25	2.27	1.852	.62	1.19	1.92	1.23	1.69	.80	.280-.450	.500
37	2.92	2.500	.62	1.19	1.92	1.93	2.35	.80	.280-.450	.500
50	2.82	2.406	.73	1.19	2.01	2.11	2.67	.93	.407-.560	.625

SDM STRAIGHT ENTRY



SDM90 90° ENTRY

