

# MICROMINIATURE CONNECTOR BACKSHELLS

## IRIS METHOD REPAIRABLE BACKSHELLS

PART NUMBER DEVELOPMENT  
**MMD120-25DJ-45**

**KERN SERIES**

**SHELL SIZE**  
SEE TABLE 1

**ENTRY SIZE CODE**  
SEE TABLE 2

**ENTRY ANGLE CODE**  
-45 = 45° ENTRY  
NONE = STRAIGHT

**FINISH CODE**  
SEE TABLE 10 ON PAGE 6



TABLE 1

SHELL SIZE	A MAX	B +/- .005	C MAX	D MAX	E MAX
9	.785	.565	.345	1.000	.900
15	.935	.715	.345	1.000	.950
21	1.085	.865	.345	1.000	1.000
25	1.185	.965	.365	1.000	1.050
31	1.335	1.115	.365	1.180	1.200
37	1.485	1.265	.365	1.180	1.250
51	1.435	1.215	.405	1.180	1.300
100	2.175	1.800	.455	1.360	1.400

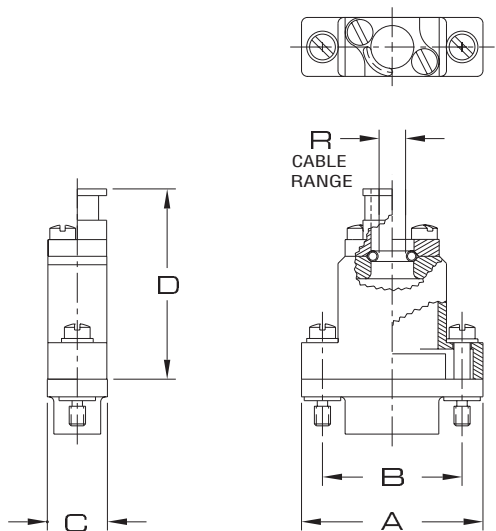
TABLE 2

ENTRY CODE	R Ø CABLE RANGE	AVAILABLE ON SHELL SIZES *
A	.105 — .160	9 THRU 100
B	.145 — .200	9 THRU 100
C	.250 — .360	31 THRU 100 **
D	.260 — .370	31 THRU 100 **

\* ADDITIONAL ENTRY SIZES AVAILABLE, CONSULT FACTORY.

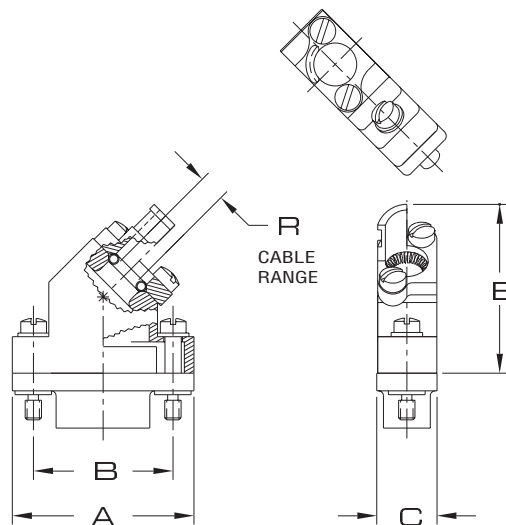
\*\* DIMENSIONS AND / OR CONFIGURATION MAY BE SOMEWHAT DIFFERENT THAN PICTURED ON THIS PAGE.

### STRAIGHT ENTRY



CONNECTOR SHOWN FOR REFERENCE ONLY

### 45° ENTRY



CONNECTOR SHOWN FOR REFERENCE ONLY