

MICROMINIATURE CONNECTOR BACKSHELLS

ELLIPTICAL ENTRY BACKSHELLS

PART NUMBER DEVELOPMENT
MMD104-25DJ-45

KERN SERIES

SHELL SIZE
SEE TABLE 4

ENTRY SIZE CODE
SEE TABLE 5

ENTRY ANGLE CODE

-45° = 45° ENTRY
-90° = 90° ENTRY
NONE = STRAIGHT

FINISH CODE
SEE TABLE 10 ON PAGE 6

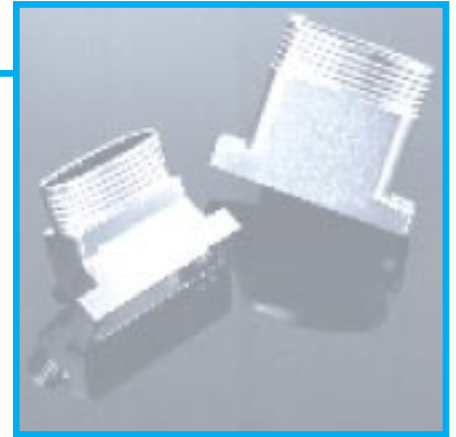


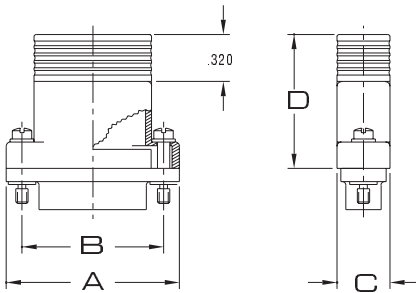
TABLE 4

SHELL SIZE	A MAX	B +/- .005	C +/- .005	D +/- .020	E MAX	F MAX	G MAX	H +/- .010
9	.785	.565	.340	.762	.851	.673	.865	.615
15	.935	.715	.340	.812	.876	.673	.865	.615
21	1.085	.865	.340	.862	.901	.673	.865	.615
25	1.185	.965	.360	.912	.943	.700	.885	.625
31	1.335	1.115	.360	.952	.963	.700	.885	.625
37	1.485	1.265	.360	.992	.983	.700	.885	.625
51	1.435	1.215	.400	1.072	1.058	.755	.925	.645
100	2.175	1.800	.450	1.137	1.135	.824	.980	.657

TABLE 5

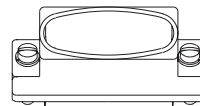
ENTRY CODE	W +/- .010	L +/- .010	R ₁ +/- .010	R ₂ +/- .020	AVAILABLE ON SHELL SIZES
A	.290	.344	.109	.182	9 THRU 100
B	.290	.494	.109	.353	15 THRU 100
C	.290	.644	.109	.757	21 THRU 100
D	.304	.744	.109	.940	25 THRU 100
E	.304	.894	.109	1.468	31 THRU 100
F	.304	.994	.109	1.893	37 THRU 100
G	.304	1.044	.109	2.128	37 AND 100
H	.384	1.524	.125	3.187	100

STRAIGHT ENTRY

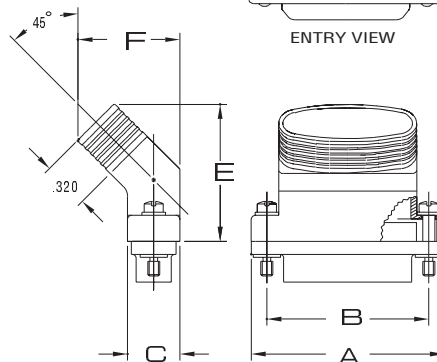


CONNECTOR SHOWN FOR REFERENCE ONLY

45° ENTRY

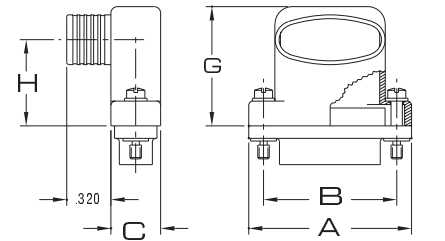
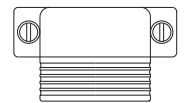


ENTRY VIEW



CONNECTOR SHOWN FOR REFERENCE ONLY

90° ENTRY



CONNECTOR SHOWN FOR REFERENCE ONLY

