

RECTANGULAR CONNECTOR BACKSHELLS

HIGH DENSITY D-TYPE BACKSHELLS

PART NUMBER DEVELOPMENT
S2642-50CJ

KERN SERIES

SHELL SIZE CODE
SEE TABLE 7

FINISH CODE
SEE TABLE 10 ON PAGE 6

ENTRY CODE
SEE TABLE 8



TABLE 7

SHELL SIZE	A	B	C
	+ .030	+ .030	+ .030
50	1.71	1.50	.53
68	2.16	1.50	.53

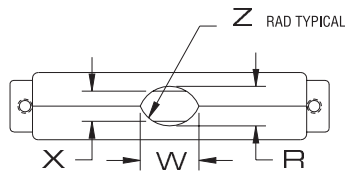
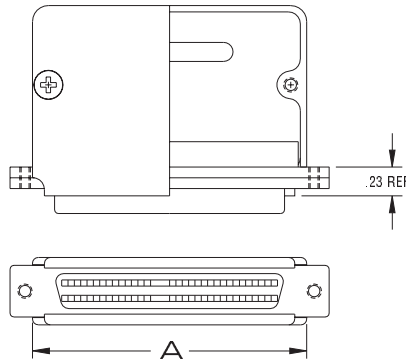
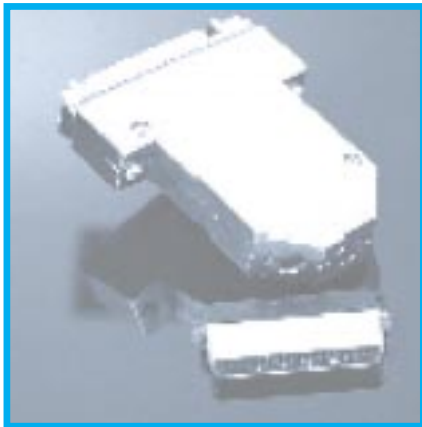


TABLE 8

ENTRY CODE	R	W	X	Z
A	.259	.395	.125	.219
B	.312	.463	.188	.250
C	.374	.530	.250	.281
D	.437	.596	.312	.313



CONNECTOR SHOWN FOR REFERENCE ONLY



PART NUMBER DEVELOPMENT
S2642-50J

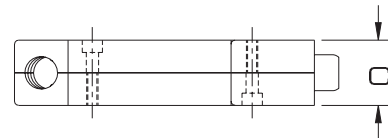
KERN SERIES

SHELL SIZE CODE
SEE TABLE 9

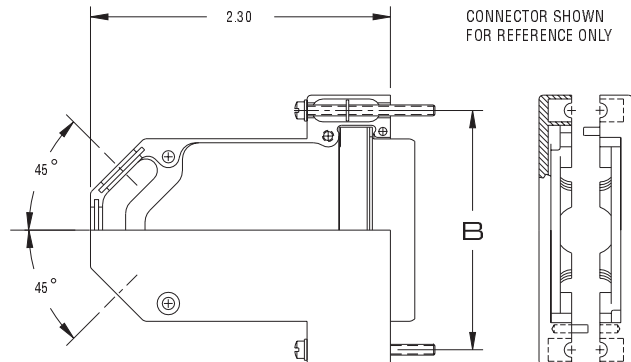
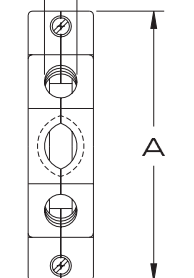
FINISH CODE
SEE TABLE 10 ON PAGE 6

TABLE 9

SHELL SIZE	A	B	C
	+ .030	+ .030	+ .030
50	1.71	1.835	.53
68	2.16	2.285	.53



.25
MAX
CABLE
(2 PLACES)



CONNECTOR SHOWN FOR REFERENCE ONLY



CABLE ENTRY PLUG
TWO (2) SUPPLIED WITH EACH ASSEMBLY